

SICOMA Cement Screw Conveyor

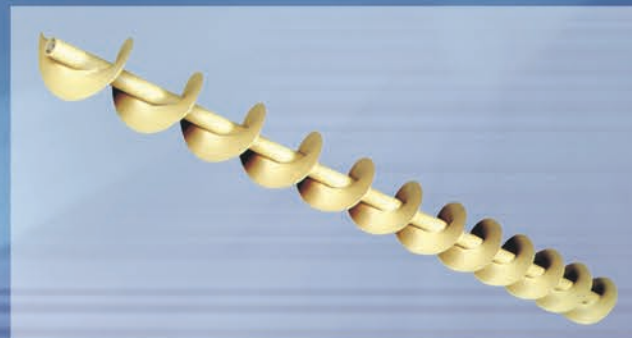


Gear Reducer

- ★ High quality seamless steel tube enables stiffness, can customize to suit different working conditions and plant design, no seepage, safe and reliable
- ★ Continuous fly with dual pitches to avoid self compaction, especially designed for long distance conveying for cement and granulate material.
- ★ High quality gear reducer with heavy duty design, high torque, low noise, no oil leakages and durable.
- ★ wide range of universal joints to choose from, easy for installation and adjustment, ensure tightness and connectivity.
- ★ High quality bearing guarantees durability.
- ★ Full range spare parts supply with sufficient stock, giving full confidence to customer.
- ★ Sizes ranged from 168, 219, 273, 323 to 407, inclination and length made to customer order.
- ★ Standard packing for easy transportation.
- ★ High-Temperature or normal-temperature are optional.



Intermediate Support



Fly

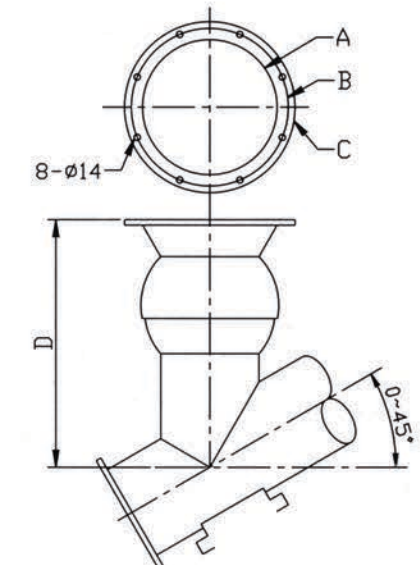
SICOMA Cement Screw Conveyor

SICOMA Main Technical Data

L (m)	Φ114 5 T/h	Φ165 17 T/h	Φ219 40 T/h	Φ273 80 T/h	Φ323 110 T/h	Φ407 170 T/h
<3	500/5/2.2	1000/5/3	2000/7/5.5	2000/7/7.5	3000/10/11	3000/10/15
<3.5	500/5/2.2	1000/5/3	2000/7/5.5	2000/7/7.5	3000/10/11	3000/10/15
<4	500/5/2.2	1000/5/3	2000/7/5.5	2000/7/7.5	3000/10/11	3000/10/15
<4.5	500/5/2.2	1000/5/3	2000/7/5.5	2000/7/7.5	3000/10/11	3000/10/15
<5		1000/5/3	2000/7/5.5	2000/7/7.5	3000/10/11	3000/10/18.5
<5.5		1000/5/3	2000/7/5.5	2000/7/11	3000/10/15	3000/10/18.5
<6		1000/5/3	2000/7/5.5	2000/7/11	3000/10/15	3000/10/18.5
<6.5		1000/5/4	2000/7/7.5	2000/7/11	3000/10/15	3000/10/22
<7		1000/5/4	2000/7/7.5	2000/7/11	3000/10/15	3000/10/22
<7.5		1000/5/4	2000/7/7.5	2000/7/11	3000/10/18.5	3000/10/30
<8		1000/5/4	2000/7/7.5	2000/7/11	3000/10/18.5	3000/10/30
<8.5		1000/5/4	2000/7/7.5	2000/7/11	3000/10/18.5	3000/10/30
<9		1000/5/4	2000/7/7.5	3000/7/15	3000/10/18.5	3000/10/30
<9.5		1000/5/5.5	2000/7/11	3000/7/15	3000/10/22	3000/10/37
<10		1000/5/5.5	2000/7/11	3000/7/15	3000/10/22	3000/10/37
<10.5		1000/5/5.5	2000/7/11	3000/7/15	3000/10/22	3000/10/37
<11		1000/5/5.5	2000/7/11	3000/7/15	3000/10/22	3000/10/37
<11.5		1000/5/7.5	2000/7/11	3000/7/15	3000/10/22	
<12		1000/5/7.5	2000/7/11	3000/7/15	3000/10/22	
<12.5		1000/5/7.5	2000/7/11	3000/7/18.5	3000/10/22	
<13		1000/5/7.5	2000/7/11	3000/7/18.5	3000/10/22	
<13.5			2000/7/15	3000/7/18.5	3000/10/30	
<14			2000/7/15	3000/7/22	3000/10/30	
<14.5			2000/7/15	3000/7/22	3000/10/30	
<15			2000/7/15	3000/7/22	3000/10/30	

Explain: 1. 1000/5/5.5, "1000" for the gear box type, "5" for the reduction ratio, "5.5" for the motor power (50Hz, 1450rpm, 380V, three phase);
 2. motor standard configuration: 380V, 50Hz, 1450rpm, three-phase, customers have special requirements can be customized;
 3. if there are special circumstances, can choose according to the actual situation of motor power (at the critical point, choose The next file power).

Diameter of the tube	A	B	C	D
114	200	250	280	150~350 (W/O adjustable inlet)
165	200	250	280	350~550 150~350 (W/O adjustable inlet)
219	300	350	380	400~600 250~400 (W/O adjustable inlet)
273	300	350	380	400~650 300~450 (W/O adjustable inlet)
323	300	350	380	500~700 350~550 (W/O adjustable inlet)
407	400	470	530	700~850 400~600 (W/O adjustable inlet)



Note: Technical data are subjected to change without notice due to continuous improvement of quality.