



▼ **SICOMA ZHUHAI CO., LTD.**

Add: No.282 Dingwan 11 Road, Sanzao Town, Jinwan District, Zhuhai City, Guangdong Province, China.  
Tel: +86-756-8910605  
Fax: +86-756-8910277  
E-mail: sicoma@sicoma.com.cn  
Website: www.sicoma.com.cn

Web



WeChat



Note: The company reserves the right to change product's technique, specification and shape without further notice!

2022.02



SICOMA ZHUHAI CO., LTD.

ADVANCED TECHNOLOGY  
HIGH QUALITY AND HIGH EFFICIENCY



Environmental Friendly  
First Choice for Energy Saving



**Our business is to provide the most reliable product and the best service to our customers.**

The building and construction industry requires more than a single product to be efficient and stay competitive. Indeed we supply a package with quality product, solution and services to meet the customer's expectations. At SICOMA we believe that "Technology creates quality and service creates value".

[www.sicoma.com.cn](http://www.sicoma.com.cn)

SICOMA RESERVES THE RIGHT TO INTERPRET THIS CATALOGUE

## CONTENTS

INTRODUCTION	03-04
PRODUCT INTRODUCTION	05-14
◆ MAO Standard Series Twin Shaft Compulsory Concrete Mixer	
◆ MAW Dam Work Series Twin Shaft Compulsory Concrete Mixer	
◆ MSO Mini Series Twin Shaft Compulsory Concrete Mixer	
◆ TMR turbine mixer	
◆ MPC Planetary Mixer	
◆ MEO Compact Series Twin Shaft Compulsory Concrete Mixer	
◆ MPT Horizontal Planetary Lab Mixer	
◆ MTO Twin Shaft Lab Mixer	
INNOVATION AND ENVIRONMENTAL PROTECTION	15-16
EXCELLENT PERFORMANCE	17-18
ADVANCED TECHNOLOGY	19-20
QUALITY CONTROL	21-22



## INTRODUCTION SICOMA ZHUHAI CO., LTD.

SICOMA ZHUHAI CO., LTD is invested by SICOMA s.r.l. from Italy, a company famous in Europe and America with a long history, CHIHO (CHINA) CO., LTD, a company specialized in concrete mixing equipment, and NORTHWEST GROUP, a large state-owned enterprise. The company is a Sino-foreign joint venture dedicated to developing, manufacturing, marketing and serving high quality mixing equipments. Now, the company occupies an area of 100,000m<sup>2</sup> with over 500 employees.

SICOMA ZHUHAI offers a great variety of commercial concrete mixers such as Twin Shaft Mixer, Planetary Mixer, Turbo Mixers and Continuous Mixers. Since the mixers came into market in year 2000, they were put into use in several national key engineer projects such as Beijing Olympic Project, Shanghai World Expo and High-speed railway construction, and were widely appreciated by the insiders with a high market share. The products are also exported to the international markets with broad business relationship with over 20 countries and districts in Europe, America, Africa and Southeast Asia.

SICOMA knows it well that innovation is the life of enterprise. The company has a strong R&D team and invests a lot on research and development for new technology and product. Now, the company owns several patents and leads the industry in technological innovation both domestic and abroad. The company has been laurelled in successive years with "High Tech Enterprise".

"100% Satisfactory Service" is the service philosophy of SICOMA. SICOMA has a well-established after-sale service system. The company has set up offices in more than 70 big and middle-sized cities and 17 spare-parts-warehouse regional service centers in Beijing, Shanghai, Wuhan, Xi'an, Urumqi, Chengdu, Hefei, Nanning, Changsha and Guangzhou, which radiate the whole country. A Three-Level spare-parts supply chain system is established with headquarter warehouse, regional center warehouse and secondary warehouse. Over 300 well trained service engineers and hundreds service vehicles are at service for the customer and let the customers worry-free.

Develop Green Economy, Build Harmonious Society. As the leading enterprise of mixer industry, SICOMA shall play the leading role in putting the philosophy of "Green Development" into the product development and technology innovation. The energy-saving, high-efficient and green eco-friendly mixer developed by the company has accredited "Ten Ring Certificate" issued by Ministry of Environment Protection of China. SICOMA is the first enterprise to win the award. The company saves more energy for the country as well as the customers and contributes its strength to build a beautiful China.

## COMPANY EVENT:

- In 1947:** Establishment of OMG Group in Italy.
- In 2000:** CHIHO (China) CO., Ltd and OMG group established a joint-venture Sicoma Zhuhai Co., Ltd. The first MAO Twin shaft concrete mixer was manufactured in our factory
- In 2002:** The 100th unit mixer was finished in our factory
- In 2004:** Sicoma Zhuhai earned official accreditation of ISO9001. The 1000th unit mixer was finished in our factory. MAO4500/3000 was used in the construction of Beijing Olympic Games.
- In 2005:** The first unit of MPC planetary mixer was manufactured.
- In 2007:** "Sicoma" had been honored as "Famous brand" and "Famous product" in Guangdong Province in China. MAO4500/3000 was used in the construction of YANGJIANG nuclear power plant.
- In 2008:** Annual production capacity of mixer was over 2000 Units. dozens of imported machining equipment with high-precision were put into production.
- In 2009:** Sicoma Zhuhai had been honored as "High-Tech Company" MAO6000/4000 was used in the construction of dam in XILUO hydroelectric power station.
- In 2010:** Annual production capacity of mixer was over 3000 units. MAO4500/3000 was used in the construction of Hong Kong-Zhuhai-Macao Bridge
- In 2011:** The first unit of FKM Dry mortar mixer was launched
- In 2012:** New Shareholder Member — Northwest Group joined SICOMA Zhuhai. The first AM asphalt mixer was developed successfully.
- In 2013:** Establishment of subsidiaries in Shanghai and Beijing. Mass production for our new transmission system "direct coupling"
- In 2014:** Be the first to be accredited "Ten Ring Certificate" and "be awarded as Engineering and technological Research Center in Guangdong Province.
- In 2015:** MLO Lightweight concrete mixer was launched, MAO6000/4000 mixer was used in the construction of Daxing Airport.
- In 2016:** The first unit DT twin-shaft vibrating mixer was manufactured and was used in the construction of "Xiong'an New District". MPT/MTO lab mixer began to be used in the research for concrete technology.
- In 2017:** Our production system was upgraded completely. Mass production for HCM artificial stone mixer and MFO fly ash consolidation mixer.
- In 2018:** UHPC 10m' High performance concrete mixers was manufactured. MAW 10m' Twin shaft concrete mixer was developed successfully
- In 2019:** Be awarded as "Influential Enterprise, Influential Product" on the 70th anniversary of the foundation PRC. The first unit AMP1500 Vertical planetary mixer had been developed successfully. MPC3000 & MPC4000 was brought to market.
- In 2020:** Annual production capacity of mixer hit a record high. First unit MSD Twin shaft dry mortar mixer was manufactured.
- In 2021:** New manufacturing factory was completed and went into operation. Put Domestic intelligent equipment to use. AM6000 oscillating asphalt mixer was launched. Total 22 series, 108 types of mixers are used in all industrial fields.



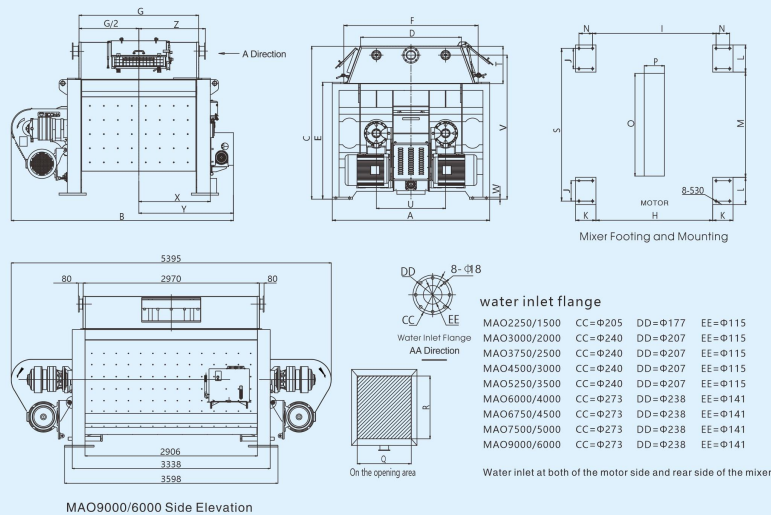
## MAO Standard Series Twin Shaft Compulsory Concrete Mixer

MAO 1500&2000&2500&3000&3500&4000&4500&5000&6000

### Special Features

- ◆ Shaft ends multi seal protection and air purge seal protection to efficiently prevent leakage.
- ◆ Unique mixer monitoring system to monitor working conditions of gearbox, discharge door pump, and electronic lubrication pump.
- ◆ With DC 24V grease pump system special for concrete mixer, self-programmed running time, water-proof, dust-proof, superb performance.
- ◆ Multi-pipe water spraying system to ensure even water distribution.
- ◆ Heavy duty design, stable operation.
- ◆ Reinforced gearbox processed with military materials by high-precision technology, high load capacity and longer service life.
- ◆ Capacity ranged from 1.5 cu.m to 6.0 cu.m.
- ◆ Optional filtering cooling system, grease-free and water-cooling shaft end sealing system, camera system, high pressure washing system, weighing system and microwave moisture monitoring system.

### External Dimension and Assembly Dimension for MAO Mixer



### Specification

MODEL	Dry filling capacity (L)	Compacted Yield (L)	Mixing Blades (PCS)	Mixing motor & power (KW)	Weight at empty (T)
MAO2250/1500	2250	1500	12	2×30	6.5
MAO3000/2000	3000	2000	14	2×37	7.5
MAO3750/2500	3750	2500	16	2×45	8.4
MAO4500/3000	4500	3000	16	2×55	9.2
MAO5250/3500	5250	3500	18	2×55	9.7
MAO6000/4000	6000	4000	20	2×75	11.8
MAO6750/4500	6750	4500	22	2×75	12.2
MAO7500/5000	7500	5000	20	2×90	15
MAO9000/6000	9000	6000	24	4×55	18

### External Dimension and Connecting Plate Dimensions

MODEL	A	B	C	D	E	F	G	H	I	J	K	L	M
MAO2250/1500	2270	2740	2122	1350	1617	1980	1346	1720	1820	315	275	400	1122
MAO3000/2000	2270	3275	2252	1485	1722	1980	1758	1720	1820	321	275	400	1550
MAO3750/2500	2270	3481	2252	1485	1722	1980	1962	1720	1820	321	275	400	1756
MAO4500/3000	2600	3822	2270	1773	1740	2260	2170	1720	1820	300	440	400	1920
MAO5250/3500	2600	4022	2270	1773	1740	2260	2374	1720	1820	300	440	400	2120
MAO6000/4000	2600	4372	2225	1653	1740	2260	2624	1720	1820	300	440	400	2370
MAO6750/4500	2600	4572	2225	1653	1740	2260	2824	1720	1820	300	440	400	2570
MAO7500/5000	3100	4334	2485	2119	2000	2730	2560	2100	2200	350	500	450	2284
MAO9000/6000	3100	5395	2530	2243	2000	2730	2970	2100	2200	350	500	450	2694

MODEL	N	O	P	Q	R	S	T	U	V	W	X	Y	Z
MAO2250/1500	200	1056	270	775	979	1822	525	970	2002	25	796	1136	773
MAO3000/2000	200	1088	270	775	1355	2250	550	970	2122	30	1054	1394	979
MAO3750/2500	200	1294	270	775	1555	2456	550	970	2122	30	1157	1497	1081
MAO4500/3000	200	1500	270	905	1771	2620	550	1150	2140	30	1262	1652	1185
MAO5250/3500	200	1700	270	905	1975	2820	550	1150	2140	30	1362	1752	1287
MAO6000/4000	200	1950	270	880	2153	3070	505	1150	2095	30	1485	1875	1412
MAO6750/4500	200	2142	270	880	2353	3270	505	1150	2095	30	1585	1975	1512
MAO7500/5000	250	1950	300	1157	2228	3084	505	1350	2355	30	1464	1852	1380
MAO9000/6000	250	2360	300	1157	2508	3494	550	1350	2400	30	1669	2698	1585

There are 8 holes only on the fixing plate of 1.5m<sup>3</sup> & 2m<sup>3</sup> mixers

# PRODUCT INTRODUCTION



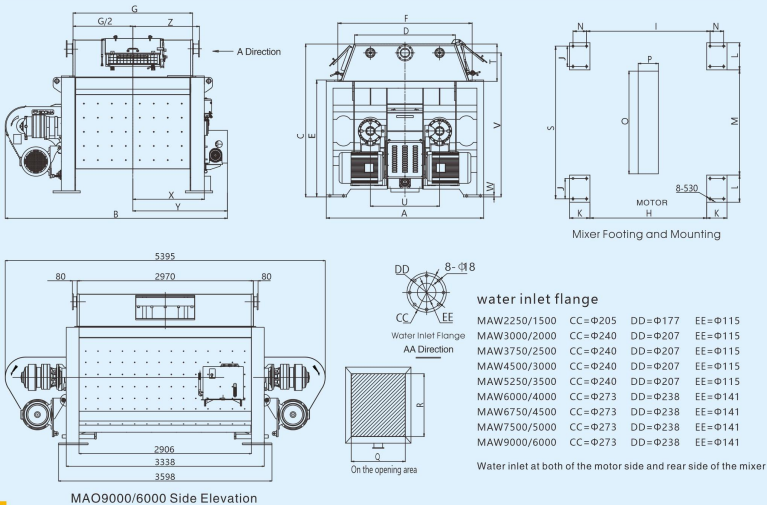
## MAW Dam Work Series Twin Shaft Compulsory Concrete Mixer

MAW 1500&2000&3000&3500&4000&4500&5000&6000

### Special Features

- ◆ Suitable for different aggregates size with maximum size 180mm.
- ◆ Meet the needs for large capacity production in dam work.
- ◆ Equipped with wearable linings of 20mm thickness and blades of high strength 600HRC.
- ◆ Unique monitoring system to monitor the mixer condition. Special automatic multi pumps lubrication system.
- ◆ Multi pipes water spraying system to ensure fast and thorough mixing.
- ◆ Optional weighing system and microwave moisture monitoring system.
- ◆ Capacity ranged from 1.5 cu.m. to 6.0 cu.m.

### External Dimension and Assembly Dimension for MAW Mixer



### Specification

MODEL	Dry filling capacity (L)	Compacted Yield (L)	Mixing blades (PCS)	Mixing motor & power (KW)	Weight at empty (T)	practical yield (m <sup>3</sup> )
MAW2250/1500	2250	1500	12	2×30	6.5	1
MAW3000/2000	3000	2000	16	2×37	7.6	1.5
MAW4500/3000	4500	3000	18	2×55	9.3	2
MAW5250/3500	5250	3500	20	2×55	9.8	2.5
MAW6000/4000	6000	4000	22	2×75	11.9	3
MAW6750/4500	6750	4500	24	2×75	12.3	3.5
MAW7500/5000	7500	5000	20	2×90	15	4
MAW9000/6000	9000	6000	24	4×55	18	5

### External Dimension and Connecting Plate Dimensions

MODEL	A	B	C	D	E	F	G	H	J	K	L	M	
MAW2250/1500	2270	2740	2122	1350	1617	1980	1346	1720	1820	315	275	400	1122
MAW3000/2000	2270	3275	2252	1485	1722	1980	1758	1720	1820	321	275	400	1550
MAW3750/2500	2270	3481	2252	1485	1722	1980	1962	1720	1820	321	275	400	1756
MAW4500/3000	2600	3822	2270	1773	1740	2260	2170	1720	1820	300	440	400	1920
MAW5250/3500	2600	4022	2270	1773	1740	2260	2374	1720	1820	300	440	400	2120
MAW6000/4000	2600	4372	2225	1653	1740	2260	2624	1720	1820	300	440	400	2370
MAW6750/4500	2600	4572	2225	1653	1740	2260	2824	1720	1820	300	440	400	2570
MAW7500/5000	3100	4334	2485	2119	2000	2730	2560	2100	2200	350	500	450	2284
MAW9000/6000	3100	5395	2530	2243	2000	2730	2970	2100	2200	350	500	450	2694

MODEL	N	O	P	Q	R	S	T	U	V	W	X	Y	Z
MAW2250/1500	200	1056	270	775	979	1822	525	970	2002	25	796	1136	773
MAW3000/2000	200	1088	270	775	1355	2250	550	970	2122	30	1054	1394	979
MAW3750/2500	200	1294	270	775	1555	2456	550	970	2122	30	1157	1497	1081
MAW4500/3000	200	1500	270	905	1771	2620	550	1150	2140	30	1262	1652	1185
MAW5250/3500	200	1700	270	905	1975	2820	550	1150	2140	30	1362	1752	1287
MAW6000/4000	200	1950	270	880	2153	3070	505	1150	2095	30	1485	1875	1412
MAW6750/4500	200	2142	270	880	2353	3270	505	1150	2095	30	1585	1975	1512
MAW7500/5000	250	1950	300	1157	2228	3084	505	1350	2355	30	1464	1852	1380
MAW9000/6000	250	2360	300	1157	2508	3494	550	1350	2400	30	1669	2698	1585

There are 8 holes only on the fixing plate of 1.5m<sup>3</sup> & 2m<sup>3</sup> mixers

## MSO Mini Series Twin Shaft Compulsory Concrete Mixer

### MSO 1250&1500

#### Special Features

- ◆ Equipped with multi stages shaft seals.
- ◆ Equipped with manual lubrication pump.
- ◆ Watering curtain at top cover to ensure fast and thorough mixing.
- ◆ Optional automatic lubrication pump DC24V
- ◆ Capacity ranged from 1.25 cu.m. to 1.5 cu.m.



## TMR turbine mixer

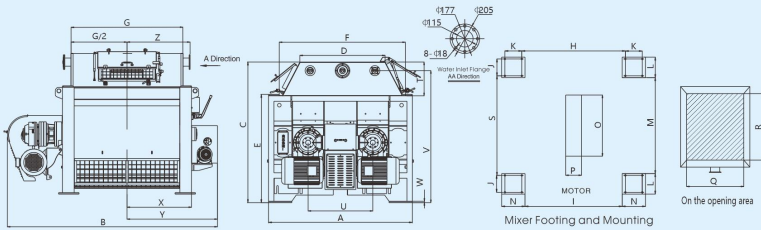
### TMR 1000/1250/1500

#### Special Features

- ◆ The mixing system is equipped with spring device in order to absorb energy consumption and reduce the shock load to arm and blade.
- ◆ The adjacent blade are distributed in different direction, this distribution can let the blade to shear, squeeze, turn up and down aggregate and form crossing flow then increase mixing efficiency and homogeneity.
- ◆ The mixing pan floor and the inner & outer walls are protected by exchangeable wear liners. Depending on the application, wear liners are made of many kinds of material
- ◆ The turbine mixer apply dedicated gearbox. Gearbox and discharge gate(s) use the same oil for less maintenance in order to constantly cycle the oil and save energy and protect environment.
- ◆ Turbine mixer is suitable for mixing high fluidity mortar, and also for mixing hard dry concrete, such as fine aggregate, powder, and lightweight aggregate concrete.



### External Dimension and Assembly Dimension for MSO Mixer



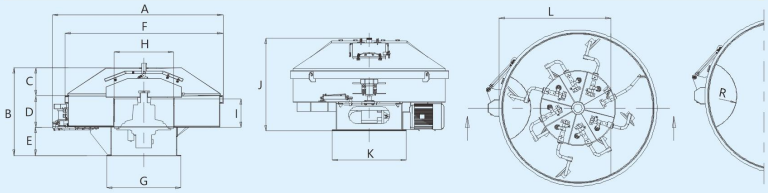
Specification		
MODEL	1.25m <sup>3</sup>	1.5m <sup>3</sup>
Dry filling capacity (L)	1750	2250
Compacted Yield (L)	1250	1500
Mixing blades (PCS)	12	14
Mixing motor & power (KW)	2×22	2×30
Weight at empty (T)	5.05	5.62

External Dimension and Connecting Plate Dimensions													
MODEL	A	B	C	D	E	F	G	H	I	J	K	L	M
MSO1750/1250	2000	2921	1955	1176	1505	1750	1554	1440	1350	235	235	285	1334
MSO2250/1500	2000	3147	1955	1176	1505	1750	1780	1440	1350	235	235	285	1560

MODEL	N	O	P	Q	R	S	T	U	V	W	X	Y	Z
MSO1750/1250	325	854	220	811	1332	1384	470	900	1835	20	897	1257	877
MSO2250/1500	325	1080	220	811	1558	1610	470	900	1835	20	1010	1370	990

### External Dimension and Assembly Dimension for TMR Mixer



Specification							
MODEL	Dry filling capacity(L)	Compacted yield(L)	Electric Motor(kw)	Speed(RPM/min)	Number of mixing arm(PCS)	Number of blade(PCS)	Kg
TMR1500/1000	1500	1000	37	22.66	7	2	5500
TMR1875/1250	1875	1250	45	22.66	7	2	5600
TMR2250/1500	2250	1500	55	22.66	7	2	6500

External Dimension and Connecting Plate Dimensions							
MODEL	A	B	C	D	E	F	G
TMR1500/1000	3153	1638	525	583	530	2920	1376
TMR1875/1250	3153	1638	525	583	530	2920	1376
TMR2250/1500	3386	1723	505	638	580	3120	1636

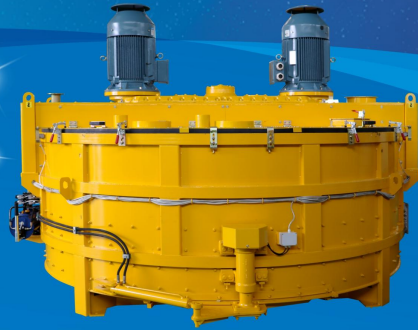
  

MODEL	H	I	J	K	L	R
TMR1500/1000	1100	530	1731	1376	2068	643
TMR1875/1250	1100	530	1731	1376	2068	643
TMR2250/1500	1200	550	1815	1636	1560	680

# PRODUCT INTRODUCTION



0.5m<sup>3</sup>-1.25m<sup>3</sup>



1.5m<sup>3</sup>-2.0m<sup>3</sup>

## MPC Planetary Mixer

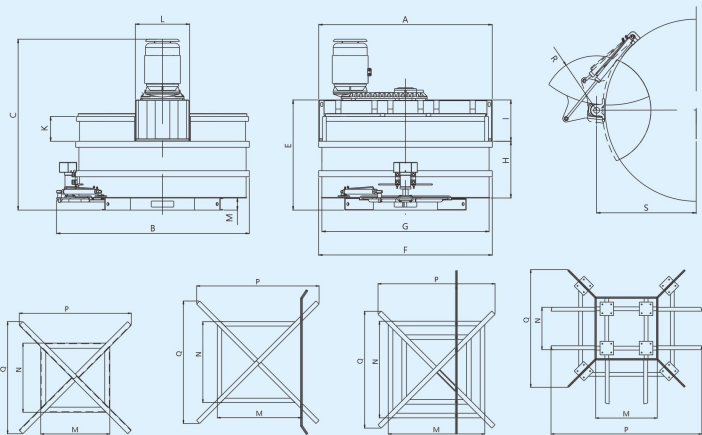
MPC 375&500&750&1000&1250&1500&2000&3000

### Special Features:

- ◆ Suitable for mixing high degree of pure concrete. It's the best choice for blocks and precast industry.
- ◆ Dual modes of discharge door opening: hydraulic operated/manual operated Multi adjustable stopping positions.
- ◆ For the discharge door, three directions optional, two openings at the same time possible.
- ◆ Economical, durable and easy maintenance.
- ◆ More compact than the same size of twin shaft mixer, easier for plant design.
- ◆ Optional skip hoist for aggregate feeding.
- ◆ Long term supply for wear parts.
- ◆ Capacity ranged from 0.375 cu.m. to 3.0 cu.m



## External Dimension and Assembly Dimension for MPC Mixer



Above drawing is applicable for  
 MPC565/375  
 MPC750/500  
 MPC1125/750  
 MPC1500/1000

Above drawing is applicable for  
 MPC1875/1250  
 MPC2250/1500

Above drawing is applicable for  
 MPC3000/2000

Above drawing is applicable for  
 MPC4500/3000

## Specification

MODEL	MPC565/375	MPC750/500	MPC1125/750	MPC1500/1000	MPC1875/1250	MPC2250/1500	MPC3000/2000	MPC4500/3000
Capacity (L)	375	500	750	1000	1250	1500	2000	3000
Electric motor (KW)	15	22	37	45	45 (55)	2X37	2X45 (55)	3X45 (55)
Planetary speed (Rpm/min)	19	21	20	21	15	15	14	12
Spider speed (Rpm/min)	40	44	41	44	43+43	30+30	31+31	32+32+32
Number of long mixing arms (P)	1	1	1	1	1	1	1	3
Number of short mixing arms (P)	0	1	1	1	1	1	1	9
Mixing arms (P)	3	3	3	3	6	6	6	9
Number of peripheral blades (P)	3	4	4	4	4	4	8	
Number of mixing arms (P)	3	3	3	3	3+3	3+3	3+3	3+3+3
Weight (T)	1400	2400	3000	4000	5000	6300	8500	16000

## External Dimension and Connecting Plate Dimensions

MODEL	A	B	C	E	F	G	H	I	K
MPC565/375	1870	1903	1760	1119	1678	1592	848	435	290
MPC750/500	2067	2419	1885	1180	1922	1836	1009	521	350
MPC1125/750	2270	2371	2185	1321	2102	2016	1181	511	330
MPC1500/1000	2300	2556	2265	1459	2302	2216	1079	547	327
MPC1875/1250	2620	2751	2265	1459	2502	2416	1079	547	327
MPC2250/1500	2910	2973	2475	1604	2702	2616	1215	574	365
MPC3000/2000	3706	3801	2475	1689	3522	3436	1226	641	376
MPC4500/3000	4390	4595	2492	1747	4120	4020	1240	522	230

MODEL	L	M	N	Q	P	R	S
MPC565/375	480	718	718	1164	1164	480	915
MPC750/500	550	824	824	1336	1336	560	1050
MPC1125/750	630	895	895	1464	1464	610	1140
MPC1500/1000	721	942	942	1610	1610	640	1225
MPC1875/1250	721	1175	1190	1764	1764	640	1325
MPC2250/1500	820	1210	1260	1907	1907	700	1428
MPC3000/2000	1030	2090	2090	2532	2532	700	1845
MPC4500/3000	970	1600	1100	3055	3920	1200	2200

**MEO Compact Series Twin Shaft Compulsory Concrete Mixer**  
MEO 1000&1250&2000



**Special Features**

- ◆ Equipped with multi stages shaft seals.
- ◆ Equipped with manual lubrication pump.
- ◆ Optional automatic lubrication pump DC24V.
- ◆ High resistance to overload, low-noise, stable operation.
- ◆ Easy maintenance, spare parts at reasonable price, high ratio between the performance and the price.
- ◆ Capacity ranged from 2.0 cu.m.
- ◆ Fit for batching plant, fly-ash solidification and other environmental-friendly mixing projects.

**MPT Horizontal Planetary Lab Mixer**  
MPT 75/150/375

**Application Range:** Lab test, batch plant formula test, project test, college and school teaching, mobile mixing or fast repairing project, etc..

**Special Features**

- ◆ Can homogeneously mixing special concrete and powder with high strength and viscosity.
- ◆ Manual discharging, easy and convenient operation.
- ◆ Economic and durable, easily maintaining with replaceable wearing parts.
- ◆ Light weight with supporting stands, easy for transportation and assembly.

**Options and Features**

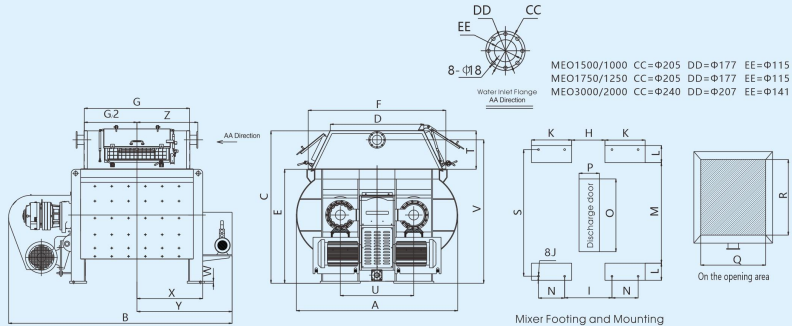
- ◆ Pneumatic mode for discharging door to save power and labour.
- ◆ Variable-frequency motor with mixing speed adjustable.
- ◆ Four-wheel mobile structure.



**Specification**

MODEL	Capacity (L)	Electric motor (KW)	Planetary speed/Spider speed (Rpm/min)
MPT 75/50	50	3	23/55
MPT 150/100	100	5.5	22/44
MPT 375/250	250	9.2	20/40
Mixing arms (P)	Number of peripheral blades (P)	Weight (T)	Number of long mixing arms (P)
3	1	0.65	1
3	1	0.8	1
3	1	1.3	1

**External Dimension and Assembly Dimension for MEO Mixer**



**Specification**

MODEL	1.0m <sup>3</sup>	1.25m <sup>3</sup>	2.0m <sup>3</sup>
Dry filling capacity (L)	1500	1750	3000
Compacted Yield (L)	1000	1250	2000
Mixing blades (pcs)	10	12	14
Mixing motor & power (KW)	2×2.2	2×2.2	2×3.7
Weight at empty (T)	4.3	4.7	6.9

**External Dimension and Connecting Plate Dimensions**

MODEL	A	B	C	D	E	F	G	H	I	J	K	L	M
MEO1500/1000	1976	2737	1865	1112	1395	1686	1286	408	580	φ22	492	210	1230
MEO1750/1250	1976	2871	1865	1112	1395	1686	1492	408	580	φ22	492	210	1436
MEO3000/2000	2306	3265	2140	1388	1615	2020	1718	485	670	φ30	535	271	1668
MODEL	N	O	P	Q	R	S	T	U	V	W	X	Y	Z
MEO1500/1000	320	730	220	811	1062	1550	470	900	1755	25	805	1165	743
MEO1750/1250	320	1230	220	811	1268	1756	470	900	1755	25	908	1258	843
MEO3000/2000	350	1088	270	906	1440	2110	525	1020	2010	30	1050	1390	959

**MTO Twin Shaft Lab Mixer**

MTO 50/100/150

**Application Range:** Lab test, batch plant formula test, project test, college and school teaching, mobile mixing or fast repairing project, etc..

**Special Features**

- ◆ Same mixing effect as normal twin shaft mixer.
- ◆ High mixing efficiency, reliable quality, small volume, low noise.
- ◆ Mixer tank made by quality carbon steel with rigid and stable structure.
- ◆ Discharge door be opened flexibly for complete discharging.

**Options and Features**

- ◆ Stainless steel material for tank, anti-wearing, anti-corrosive and anti-adhesive.
- ◆ Variable-frequency motor with remote control and touch screen operation interface for direct viewing of summit current and formulation.
- ◆ Wheel mobile structure.
- ◆ Inner linings for carbon steel tank.



**Specification**

MODEL	MTO75/50	MTO150/100	MTO225/150
Dry filling capacity(L)	75	150	225
Compacted Yield(L)	50	100	150
Left Blade(pcs)	2	2	2
Right Blade(pcs)	2	2	2
Blade(pcs)	12	12	12
Motor power(KW)	4.0	5.5	5.5
Weight(T)	0.8	0.9	1.0



## High-pressurized Cover Water Feeding System

- ◆ Spiral stainless steel nozzles used for the high-pressurized water feeding terminal, preventing corrosion by the additives.
- ◆ Big spraying area, even water feeding, shortening the water feeding time to shorten the mixing time.
- ◆ Rotary nozzles installed in the 4 cover corners to wash off cover wall dust.
- ◆ Optional high-pressurized pump used together with spiral stainless steel nozzles, to keep mixer inner tank much cleaner.

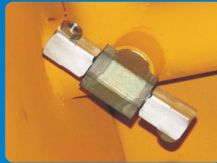


Time saving, power saving, dust suppressing and dust collecting.

## Site Application Presentation



Rotary Angular Nozzle



Spiral Stainless-steel Nozzle



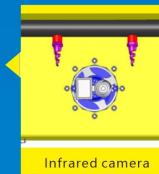
## COVER WITH PP INSIDE LINER

- High strength PP board to protect the inner cover;
- Anti-corrosive, concrete non-sticking;
- Reduce the cover washing frequency to save manpower and material resource;
- Efficiently extend cover service life.

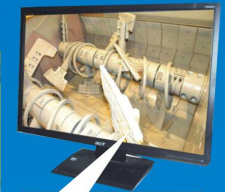
## Camera Monitoring system Inside Mixer Tank

### Features

- ◆ Infrared camera with high definition and wide angle, LED light equipped for clearer image ;
- ◆ Monitor the mixing concrete without stopping the machine, real-time, directviewing, convenient, worry free and trouble saving;
- ◆ Remote control possible, data can be sent to monitoring equipment and stored, easy for review ;
- ◆ Two nozzles separately facing the LED light and camera would wash the light and camera during each water filling;
- ◆ High-power fan equipped to blow from the end of the camera to protect the camera from dust and extend its service life.



Infrared camera



The real-time safety monitoring

## Single-body Shaft Mixer (Patent No.:ZL201120271546.2)

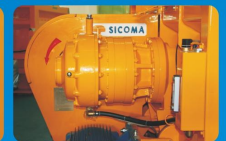
- ◆ Reduce the transmitting and mixing connections from three to one, simplifying the structure.
- ◆ Reduce the possible breakdown places, stabilize the two main shafts operation and lower the maintenance times.
- ◆ Mixing shaft directly connected with the gearbox, improving the shafts concentricity.
- ◆ Reduce the gearbox connecting length and make the operation more stable.

Scientific Design

### Comparison Drawing before and after modification



Normal mixing shaft (before modification)



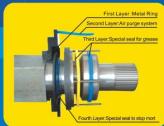
Single-body Shaft (after modification)

## Modified Inspection Hatch

- ◆ More spacious and durable



Separated Power Supply Console and Control Console



## Air Purge Multi Seals at Shaft Ends

- ◆ Concealed recesses at shaft and metal seal to stop mortar.
- ◆ Air purge at shaft so as to pressurize the sealing chamber and keep the slurry out.



## DC 24V Grease Pump Special For Concrete Mixer

- ◆ Built-in PCB control, dual LED display, self-programming, easy and precise operation
- ◆ Germany imported DC 24V motor, superb performance, high water-proof and long service life
- ◆ Protection grade IP65, suitable for severe environment, working temperature: 60oC to -30oC
- ◆ Output power as high as 350Bar, output distance as long as 50m.
- ◆ Suitable for grease of various grade



## Unique Monitoring System

- ◆ Monitor oil level and temperature at gear reducer.
- ◆ Monitor oil level and temperature at hydraulic door opening.
- ◆ Monitor oil level of the auto lubrication system.
- ◆ Remote Control Console showing the same with alarm at control room is optional.



## Hydraulic Pump For Discharge Door

- ◆ Advanced hydraulic door opening system to ensure smooth operation.
- ◆ Multi adjustable stopping positions to regulate the discharge flow, convenient for feeding to the truck mixer.
- ◆ Manual override in case of electric failure.



## Contact Switch

- ◆ Imported contact switch, reliable and durable.



## Reduction Gearbox

- ◆ The gear reducer is made according to SICOMA's specification in Italy. It runs at low noise and temperature.



## Sand-Blasting

- ◆ Super exterior sand blasted finishing and premium quality marine paint can satisfy the concrete mixer working in tough working environment.



## CNC Center

- ◆ Imported numerical control machinery.
- ◆ Trained personnel.
- ◆ ISO9001 procedure.



## 5 Axis CNC Machine Center

- ◆ The imported 5 Axis machining center, the sole in this field. It improves the concentricity precision to a new level and ensures high quality of the mixer.

## European Imported Welding Robot

- ◆ European imported original welding robot to ensure high welding quality and improve production efficiency.

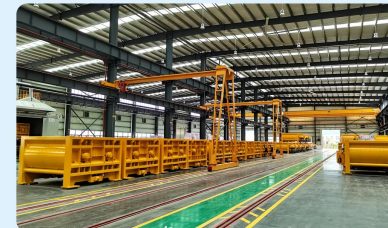
## NC Laser Cutting Machine

- ◆ Computer Programmed Operation, Real-time Monitoring Control;
- ◆ Cutting with high efficiency and high precision.



## Heat Treatment Center

- ◆ Advanced heat treatment equipment to efficiently ensure the heat treating quality of the steel sealing parts with higher hardness, better abrasion resistance and longer service life.

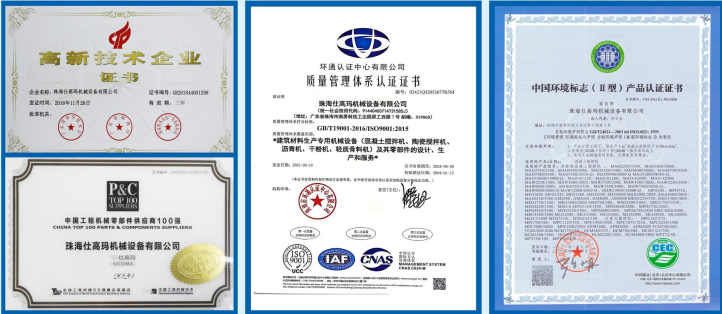


## Assembling Center

- ◆ Commissioning, Test run and Quality check to ensure Quality Product.



**High-tech Enterprise**  
**Top 100 Supplier Of Engineering Machinery Industry Of China**  
**ISO9001: 2015 Quality System Certificate**  
**Ten Ring Enterprise**



- ◆ SICOMA products are well sold all over the world by its superb quality and excellent service. Domestically, it is accredited ISO9001:2015 quality system certificate and “Ten Ring” certificate by Ministry of Environment Protection of China. It also gets Europe CE certificate, ATEX certificate, Russia GOST certificate, America UL certificate and Canada CSA certificate.
- ◆ SICOMA follows strictly SICOMA enterprise standard and ISO9001:2015 quality system certificate for all the processes including production technology, quality control and sales service.

**Continuous Improvement**

In order to optimize its products and meet with customer’s requirements, Sicoma Zhuhai always devotes to make continuous improvements on manufacturing , product technology , and successively developed an advanced monitoring system, the automatic lubrication system with individual lubrication to each shaft end, a weighing system to monitor the mixer’s batch and the high pressure cleaning system for the mixer.

**Personnel Training**

Sicoma Zhuhai firmly believes that outstanding staff are the foundation of success and always pays much attention to enhancing their skills so as to promote the mutual development of staff and company. For the purpose of updating staff’s knowledge of technology and information on concrete mixer and strengthening their sense of unity, Sicoma Zhuhai regularly provides professional training or employs senior consultants to give training to the staff. Moreover, Sicoma Zhuhai periodically invites foreign expert to train engineers and technicians for advanced technology and producing experience in manufacturing concrete mixer.

**Personnel Training, Foundation Of Success**

Quality decides everything and outstanding staff are the foundation of success. SICOMA regularly provides proper training to employees to expand their knowledge. At the same time, SICOMA offers ideal environment for their development. In the meantime, SICOMA provides on-the-job and professional training to the engineers and technicians, ensuring them updated about the latest technology of the industry. SICOMA believes that enterprise should be a college where all the employees have the opportunity to develop. The developed employees would then keep the enterprise developing in return.