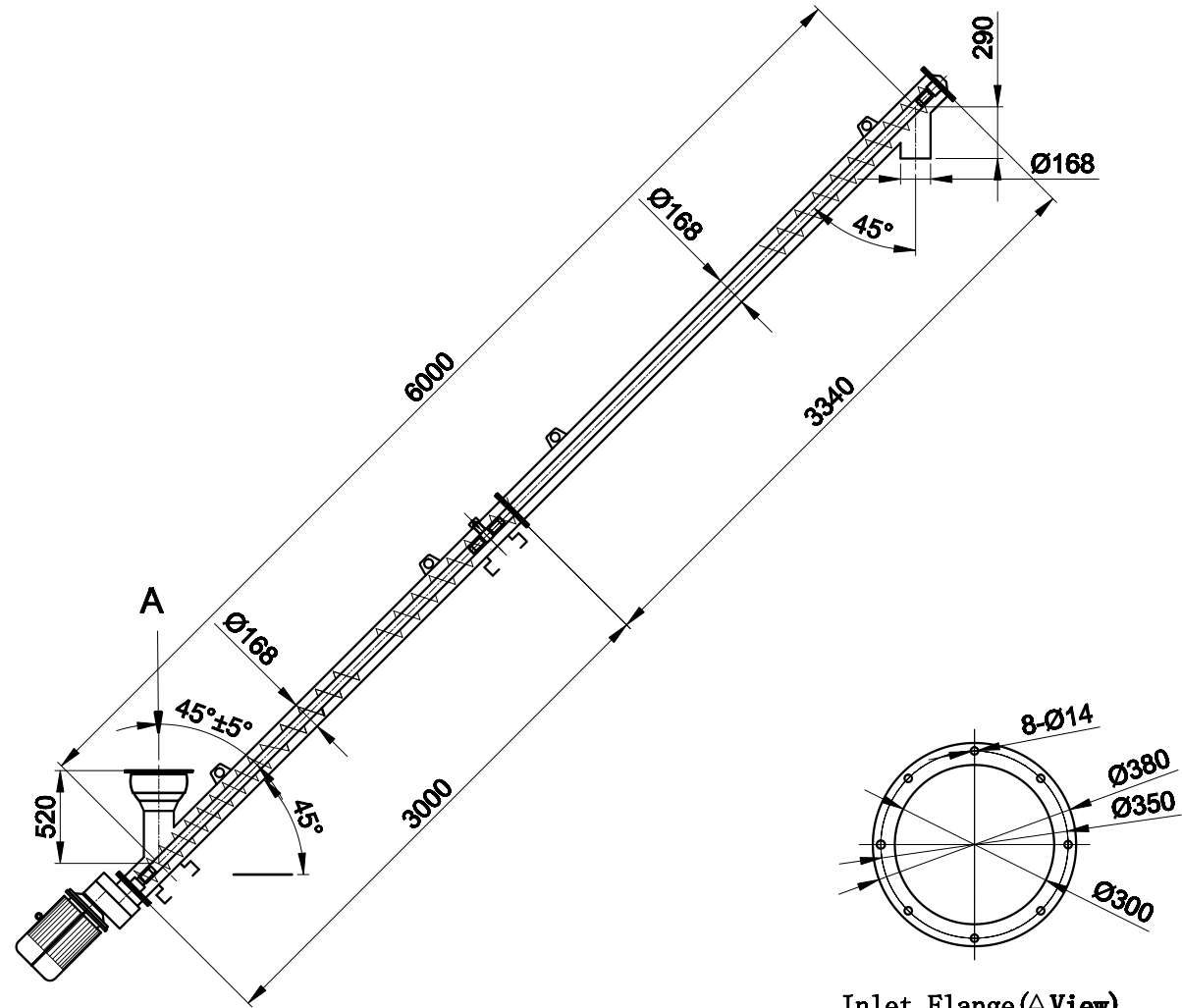


Client:



万向节调节角度 $\pm 5^\circ$

Quantity:	Gear Reducer: 1000/5/28	Drawn by:	Model No	Zhuhai VOGO Mechanical Equipment Co.,Ltd
Weight (Kg):	Motor: 4 kw	Prepared:		
Material Carry: cement, flyash (or equal material)	Capacity: 12TPH(cement)	Check:	$\varnothing 168-6000-45^\circ$	Date: 2023-11-23