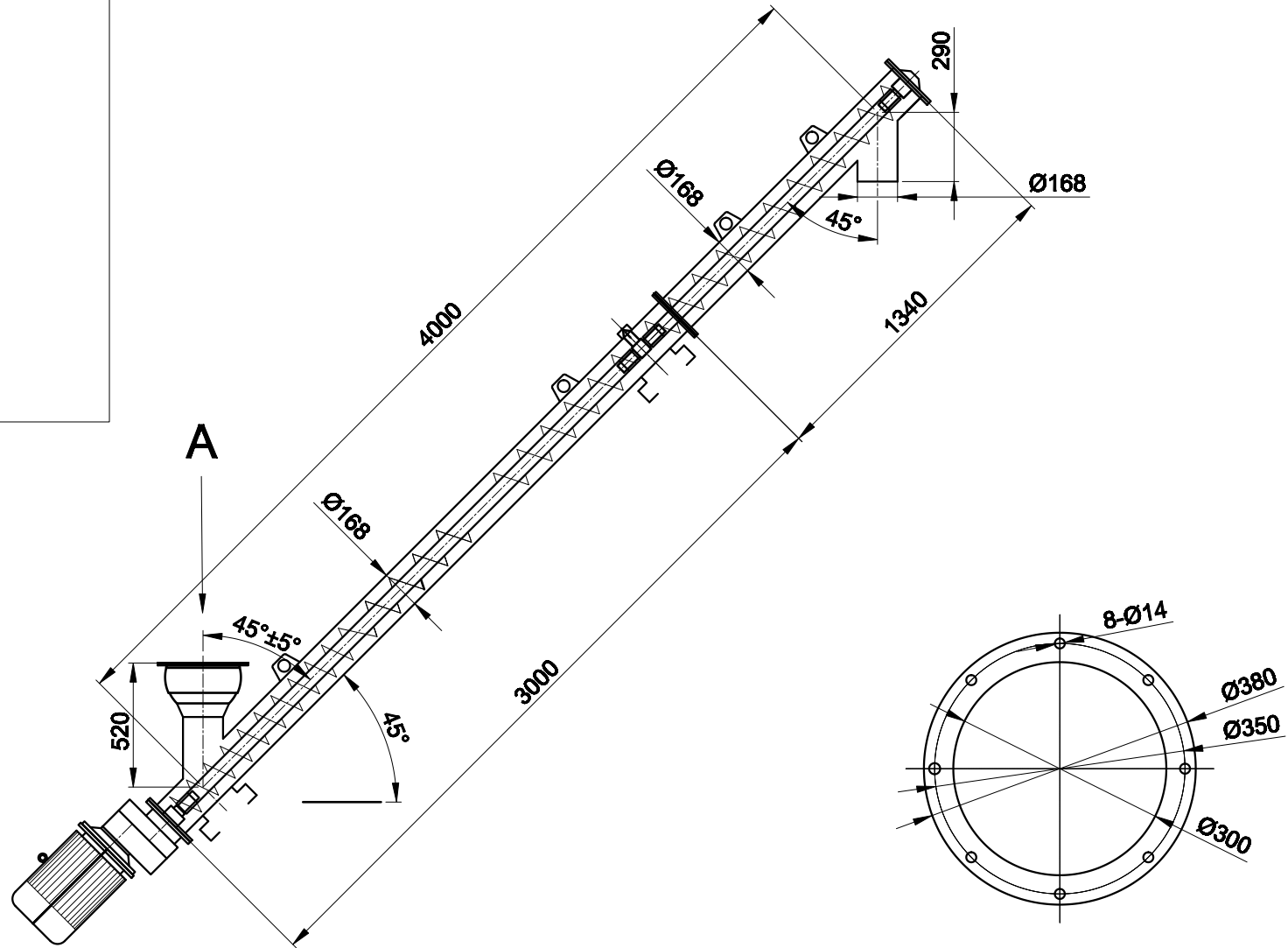


Client:



万向节调节角度 $\pm 5^\circ$

Inlet Flange (A View)

<b>Material Carry: cement, flyash (or equal material)</b>	Quantity:	Gear Reducer: 1000/5/28	Drawn by:	Model No	Zhuhai VOGO Mechanical Equipment Co., Ltd
	Weight (Kg):	Motor: 4kw	Prepared:		
	Capacity: 15TPH(cement)	(1450rpm, 380VAC, 3PH, 50HZ)	Check:	ø168-4000-45°	